

Scooter, Skateboard & Bicycle Storage

Al Seeliger ES

Summary

Scooter use is very high at Seeliger Elementary School, but scooters are stored outside on the ground, in classrooms, and in hallways, where they are a safety hazard. This project will provide safe and secure storage for about half of the scooters. In addition, one set of bicycle racks will be added to encourage bicycle use and reduce damage to bicycles.

Scooter & Skateboard Storage

There is currently no scooter or skateboard storage at Seeliger ES. Seeliger has the highest scooter use of any school in Carson City, with an estimated 5% of students (30) using scooters regularly. Scooters are stored outside classrooms, where they present a tripping hazard and security risk, inside classrooms, where they take up valuable classroom space, and in the hallways, where they present a tripping hazard. There is also a lower level of skateboard use, with the same concerns.



One skateboard storage locker with a capacity of 8 skateboards will be installed along the courtyard wall during the 2008-2009 grant period. Two more will be installed during the 2009-2011 grant period, one in the same location and one in the other courtyard. Both locations are convenient for student use. The first installation will be evaluated before additional purchases and installations are made, in case changes are needed.

Bicycle Storage

There are currently three bicycle racks at Seeliger ES, one on the north side where near a fence gate, at the read of the school buildings on the west near the portable classrooms, and another one on the south side near the primary play area. All of these are traditional comb bicycle racks, which the students dislike, sometimes locking their bikes to the adjacent fence rather than to the rack. Bicycle use is estimated at 1% of students (6) currently, however, with a high percentage of students in the walk zone, the potential for increasing bicycle use is high.



One set of inverted U bicycle racks, with a capacity of eight bicycles, will be purchased. They will probably be installed adjacent to the courtyard wall on an existing concrete surface, though the final location has not been determined. The racks can be set on a 24 inch separation, which seems to be appropriate for bicycles used by elementary students. As bicycle use increases, additional racks will be installed in the future under future SRTS grants or with other sources of funding. The inverted U racks can be installed in small increments, of two bicycles, at any time, as needed to keep pace with increased use.

Cost

skateboard rack, 8 lockers in a unit (2)	960
bicycle rack, Bike Rib Series I BR-2 racks with eight bike capacity, w/shipping (4)	450
installation of racks and pads	1500
<i>subtotal</i>	<i>\$2910</i>

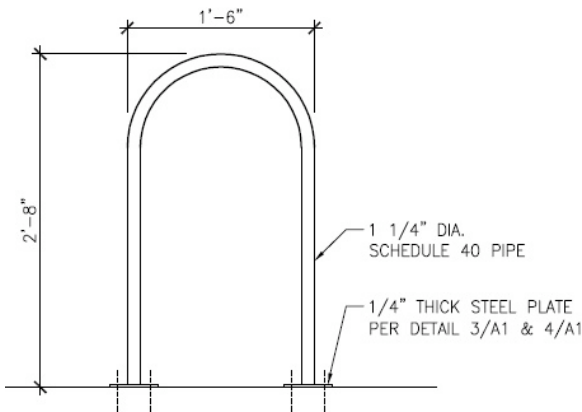
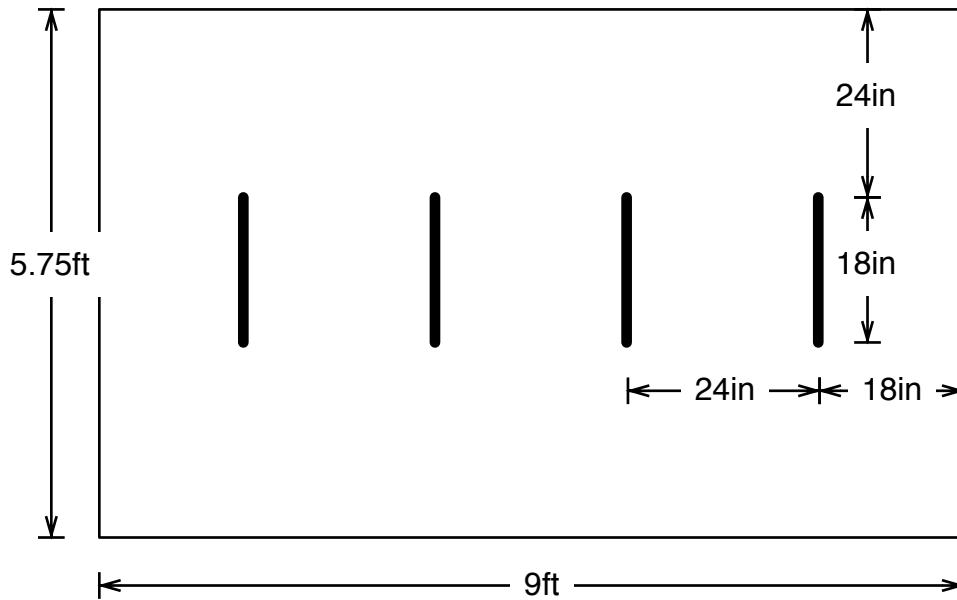
Sources:

Function First, Tucson AZ, 888-245-3742, <http://www.bikerack.com/>, or equivalent. Have quote for bicycle rack.

MG Creations, Santa Cruz CA, 888-203-0001, <http://www.skateboardlockers.com/>, or equivalent.

Bicycle Racks for Elementary Schools

For elementary school installations, separate racks will be installed so that the spacing between racks can be adjusted to 24 inches, appropriate for the size bicycles used by elementary students. In most cases, surface mounts on concrete pads will be used, though in-ground mounts are available for use in asphalt or soil. The pad should be 5.75 x 9 feet for a series of four racks surrounded by soil, or 3.5 x 8 if surrounding by asphalt.



diagrams and photos courtesy of Function First

Function First, Inc.

3935 N. Country Club Rd., #25
Tucson, Arizona 85716

bikeribs@yahoo.com

Phone # 520 322 9626

Fax # 520 844 1110

Estimate

Date	Estimate #
1/27/2009	209

Name / Address
SRTS Carson City 1402 W King St Carson City, NV 89703

Project

Description	Qty	Rate	Total
Bike Rib Series I #BR2 s.m. surface mount bike rack Powder Coat Paint finish - GN03 anchors included	4	90.00	360.00
Shipping - the BR2s are small enough to ship via UPS	1	90.00	90.00
Thank You	Total		\$450.00